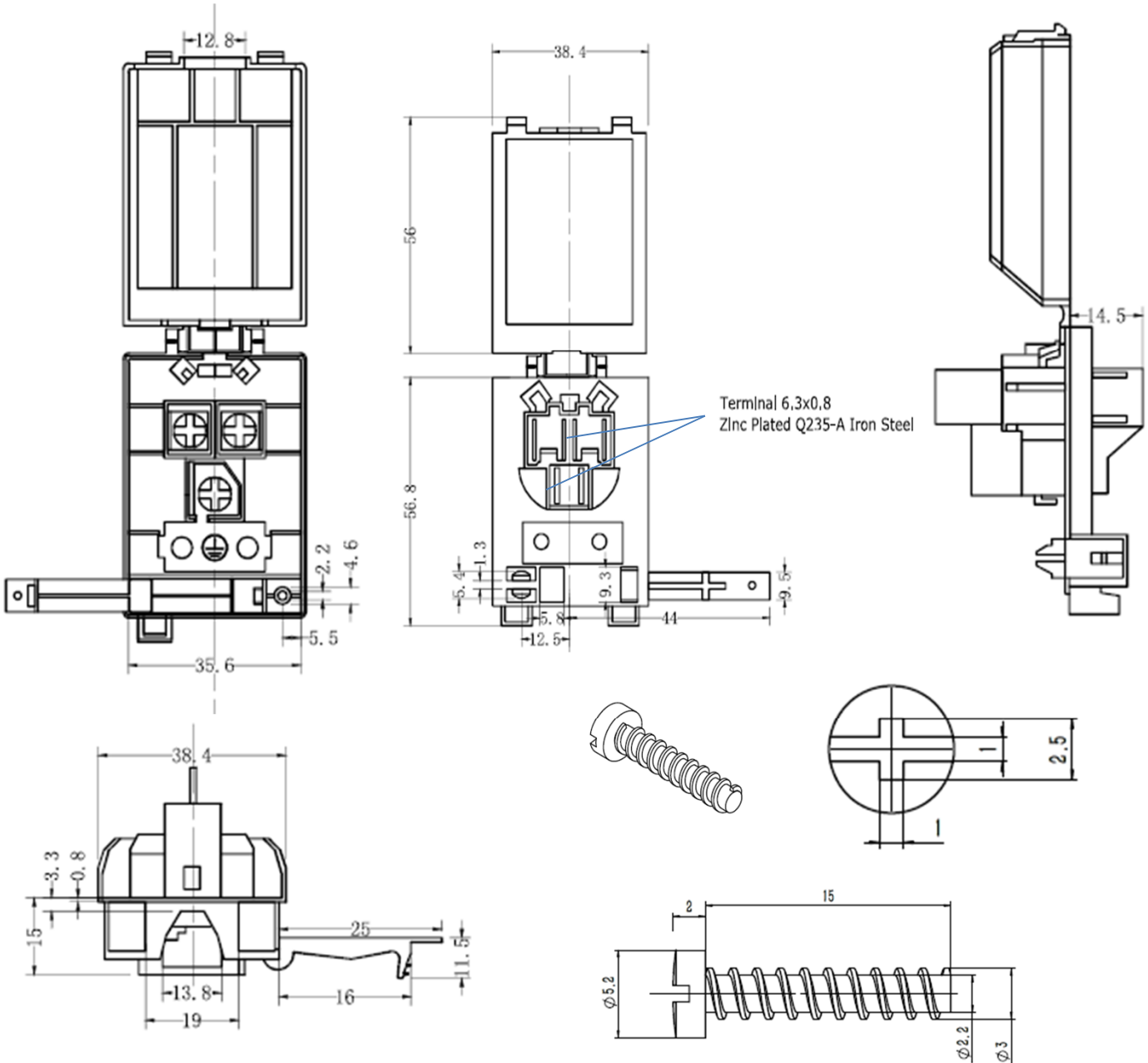




Technical data:  
 Rated insulation voltage: 400V  
 Rated current: 16A  
 Rated connecting capacity: 2.5mm<sup>2</sup>  
 Rated ambient temperature: 125 degreee  
 Model No.: BGTB16A  
 Metal Parts: Q235-a Iron, surface plating Zinc.  
 Plastic Parts: Nylon PA66  
 Note: this terminal is only designed for flexible cable  
 IP: IP30

**CE RoHS REACH**



file no.	BONLE0906-1	Date	terminal	Bonle(Fuzhou)	
Date	2019.12.17	1	block 16A	International Co., LTD.	
Design	Zheng wei	2	material	No.	BGTB16A
tolerance		3			
scale		4	Nylon		
checher	HUANG	5			